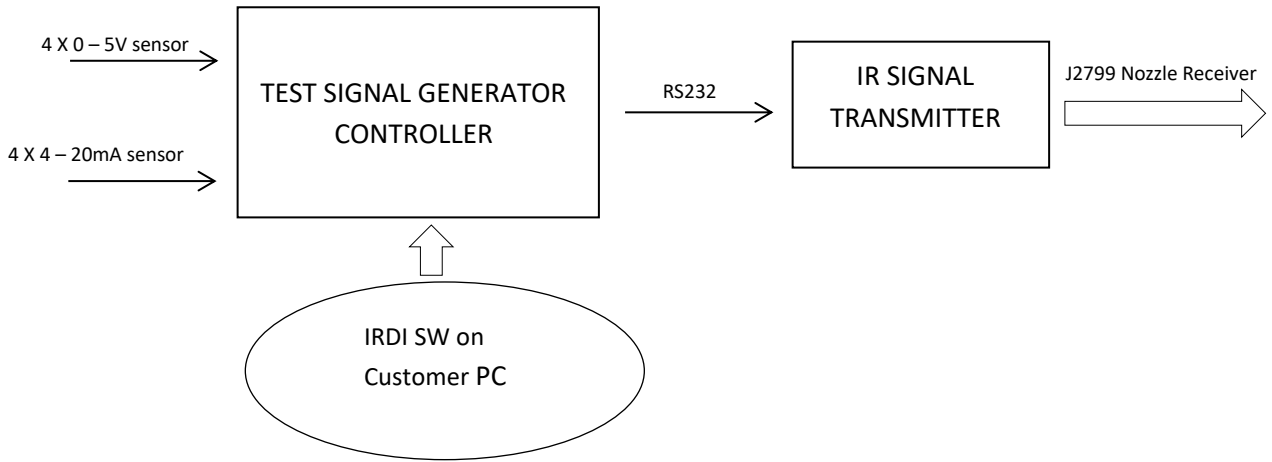


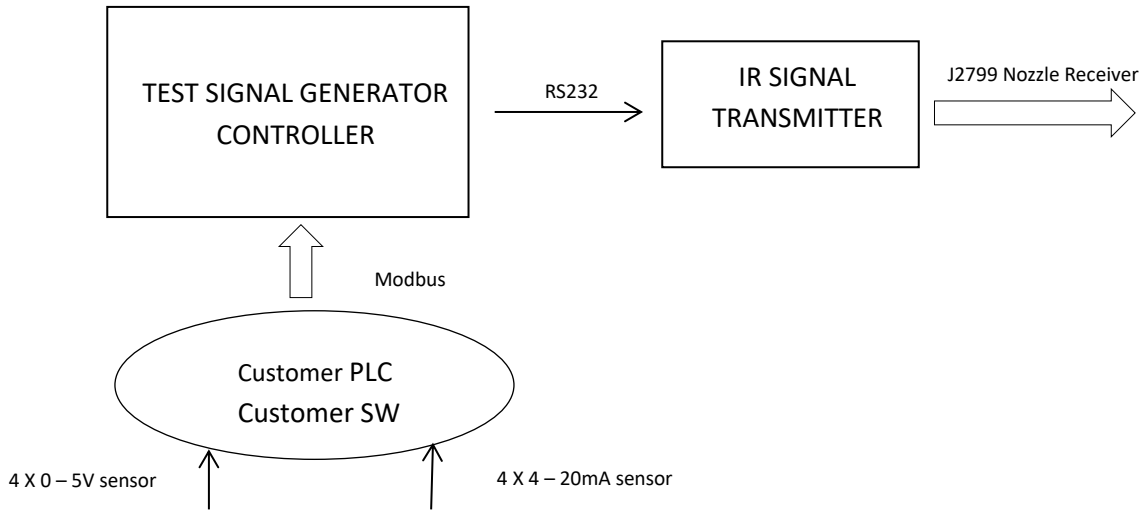
# INFRARED COMMUNICATION SOLUTIONS

## TEST SIGNAL GENERATOR CONFIGURATIONS

### Configuration 1-Full Feature TSG. Analog inputs, data logging, Digital I/O



### Configuration 2-TSG with Modbus input. Customer must provide and program own PLC

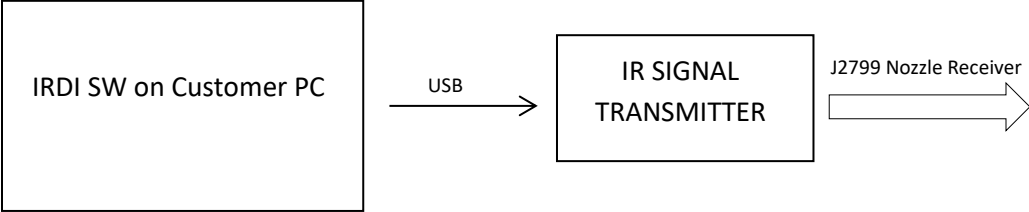


# INFRARED COMMUNICATION SOLUTIONS

## TEST SIGNAL GENERATOR CONFIGURATIONS

---

**Configuration 3-TSG with PC screen inputs. No analog inputs. All inputs from PC screen**



**Configuration 4-Handheld IR Transmitter. No analog inputs. Test patterns download from laptop through USB**



# INFRARED COMMUNICATION SOLUTIONS

## TEST SIGNAL GENERATOR CONFIGURATIONS

Features	Configuration 1	Configuration 2	Configuration 3	Configuration 4
	<b>TSG with PLC</b>	<b>Modbus PLC</b>	<b>Laptop toTX</b>	<b>Handheld</b>
J2799 compatitble	✓	✓	✓	✓
Analog inputs for pressure and temperature sensors	✓	Through customer 's controller	✗	✗
Digital inputs and outputs	✓	Through customer 's controller	✗	✗
Data logging of input parameters	✓	Through customer 's controller	✗	✗
Incorrect CRC	✗	✓	✓	✓
Incorrect Value	✗	✓	✓	✓
Power inputs	24VDC or 120VAC	24VDC or 120VAC	Power from Laptop	Battery

<b>Test Signal Generator</b>	
Communications	Front end output: SAE J2601 transmit Back End Input: sensor input 4 X 0- 5V; 4 X 4 – 20mA
Power Supply:	Test signal controller: 100 – 240VAC or 24VDC. Select one
Physical Packaging	~235mm X130 X 68
Operating Temperature	-10C – 45C

<b>Test Nozzle Receiver</b>	
Communications	Front end input: SAE J2601 transmit Back End: Output: RS485, USB
Power Supply:	5V, 50mA
Physical Packaging	~63mm Dia X 25mm
Operating Temperature	-40C to 80C

# INFRARED COMMUNICATION SOLUTIONS

## TEST SIGNAL GENERATOR CONFIGURATIONS

---

<b>Test Signal controller and Software</b>		
200016	Test signal generator Controller	Configuration 1
200017	Test signal generator – Labview software	Configuration 1
200392	Test signal generator Controller-Modbus	Configuration 2
200416	Test signal generator-Labview Software USB	Configuration 3

<b>IR Signal Transmitter</b>		
200081	IR Signal transmitter	Configuration 1 and 2
200400	IR Signal Transmitter Class 1 Division 2 certified	Configuration 1 and 2
200410	IR Signal transmitter-USB, Class 1 Division 2 certified	Configuration 3
200428	Handheld IR transmitter-Battery power	Configuration 4

<b>Test nozzle receiver</b>		
200403	Test nozzle receiver-not certified, RS485 output	All configuration
200621	Test nozzle receiver not certified USB output	All configuration
200504	Test Receiver Software	All configuration

**Contact Information**-IRDI System Inc.  
 Edward Li, General Manager, Email: [edward.li@irdisystem.com](mailto:edward.li@irdisystem.com), Phone: 778.386.0485